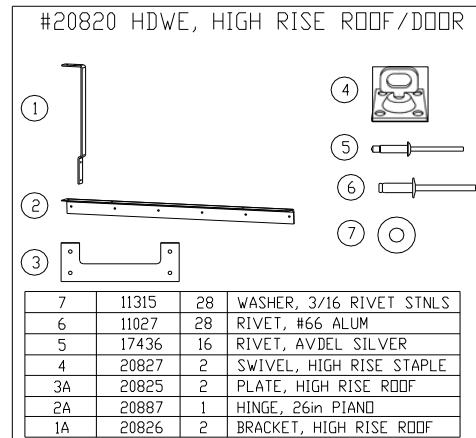
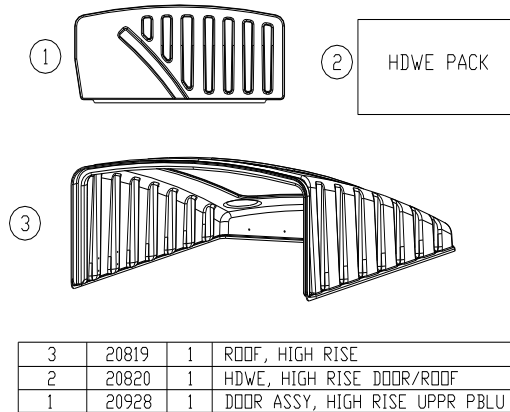


INSTRUCTIONS HIGH RISE UPPER ROOF/DOOR INSTALLATION

INTRODUCTION

Satellite portable restrooms and accessories must be assembled according to approved assembly procedures. Variations in assembly could adversely affect product life and warranty.

HARDWARE:



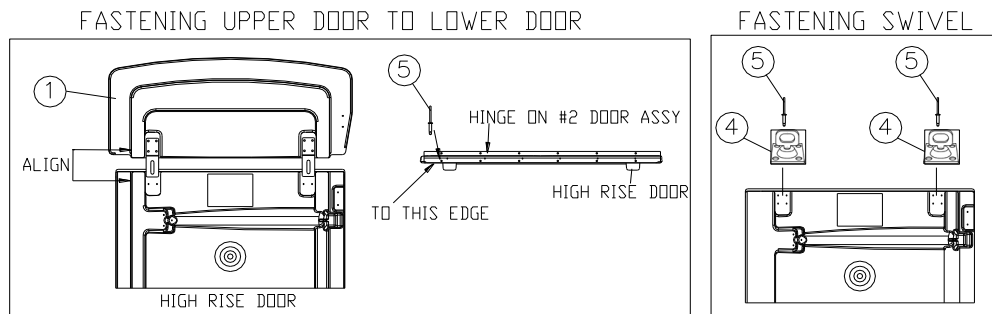
TOOLS: *DRILL ELEC/CORDLESS, * #10 (3/16") DRILL BIT, *RIVET GUN

1. Fasten Upper Door Assy to Lower Door:

Align parts as shown. With hinge up against lip on lower door, align columns of upper door and lower door. Rivet Upper Door Assy to Lower Door using Rivet #17436. Transfer drill through end hole in hinge using a #10 (3/16") drill bit. Fasten with rivet gun. Repeat on remaining holes in hinge.

2. Fasten Swivels:

Drill out dimples (4) in recessed area in door. **BE CAREFUL TO DRILL THROUGH FIRST LAYER ONLY.** Fasten swivel to door using Rivet #17436. Repeat on other swivel.



3. Fasten # 20887 Hinge: See fig A.

Using Rivets #11027 and #11315 Washers rivet hinge to back angle in pre-drilled holes. Rivets through hinge and into angle with a backup Washer. Set rivets with rivet gun.

4. Fasten #20825 Plates: See fig B.

Using Rivets #11027 rivet # 20825 Plate to inside Roof use pre-drilled holes in Roof. Rivets through Plate and into Roof with a backup Washer on the outside of Roof. Set rivets with rivet gun. Repeat on other side.

5. Fasten Roof to Hinge: See fig C.

Using Rivets #11027 and #11315 Washers rivet Hinge to Roof in pre-drilled holes. Rivets through Roof and into Hinge with a backup Washer. Set rivets with rivet gun.

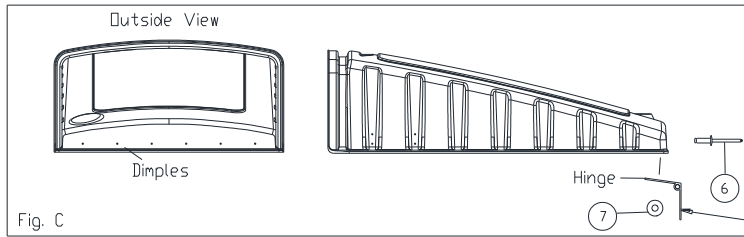
6. Slide #20826 Brackets Through #20825 Plates. See Fig. D

7. Fasten #20826 Brackets to Angles: See fig E.

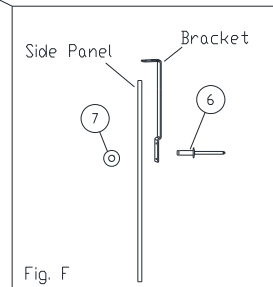
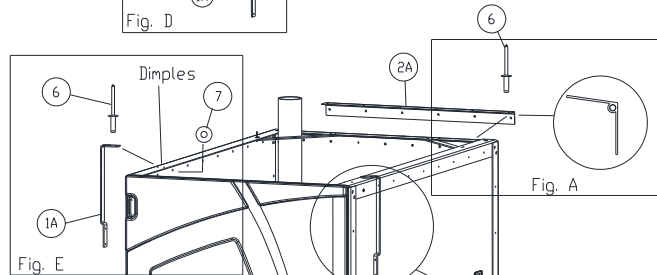
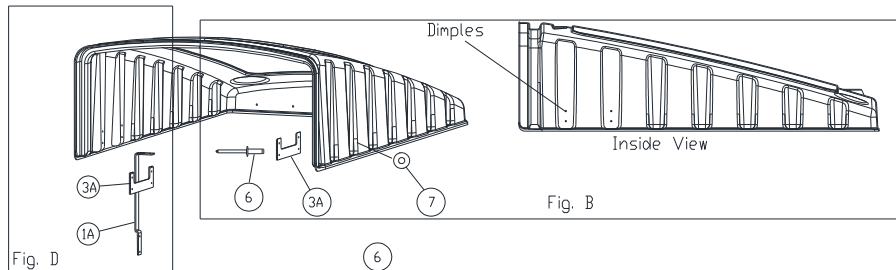
Using Rivets #11027 and #11315 Washers rivet Bracket in pre-drilled holes in angle. Rivets through Bracket and into Angle with a backup Washer. Set rivets with rivet gun.

8. Fasten #20826 Brackets to Side Panels: See fig F.

Using Rivets #11027 and #11315 Washers rivet Bracket to side Panels. Transfer drill through holes in bracket, through side panel. Rivets through Bracket and into side panel with a backup Washers. Set rivets with rivet gun.



NOTE: THIS LEAF OF HINGE IS POINTED DOWNWARD WHEN RIVETED TO THE ROOF, AND THE HINGE KNUCKLE IS TOWARDS INSIDE OF UNIT.



SATELLITE INDUSTRIES, INC.

2530 Xenium Lane North, Minneapolis, MN 55441

Telephone: 763-553-1900 Fax: 763-553-1905

800-328-3332 / www.satelliteindustries.com