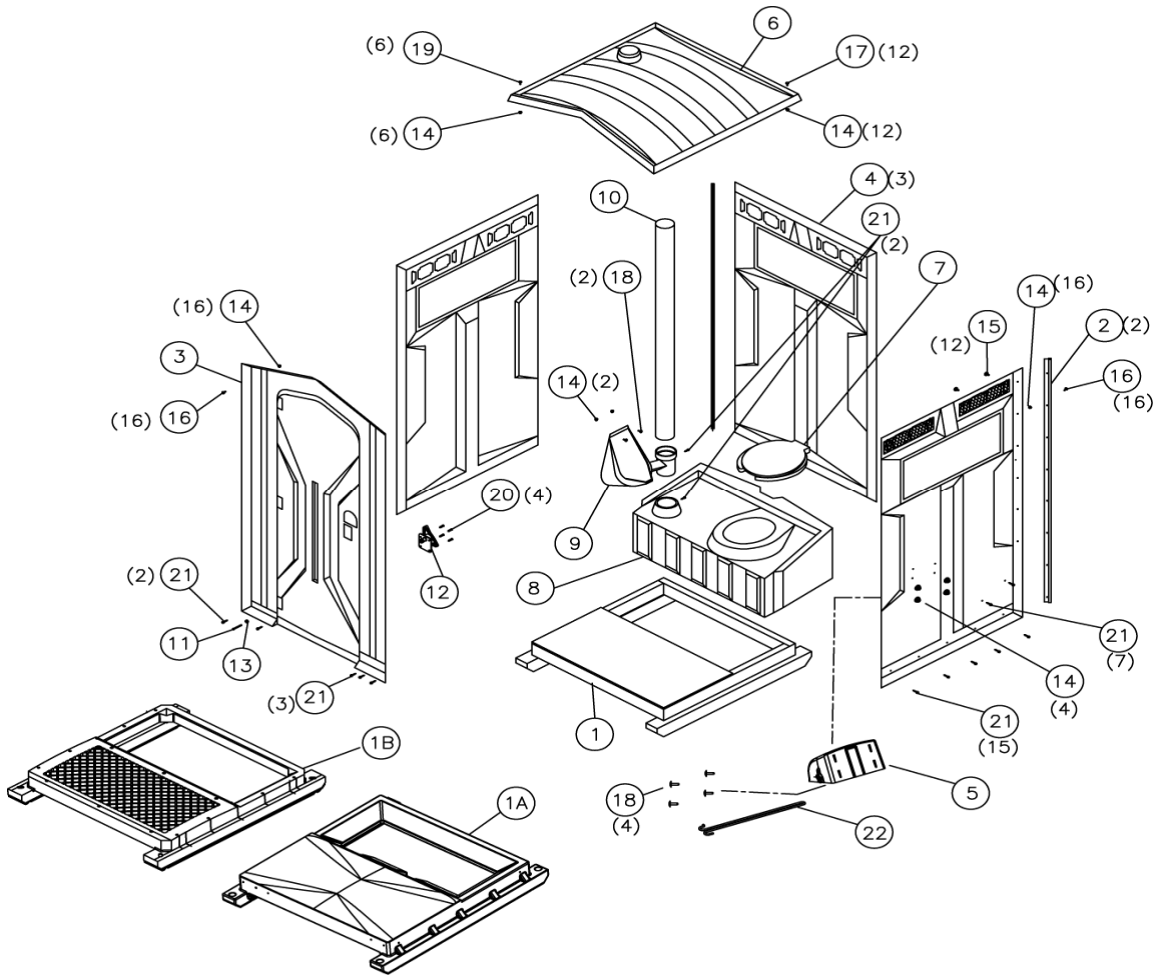


### TUFWAY® MAJOR ASSEMBLY



### TUFWAY® COLOR CHART

	SAND	AQUA	ROYAL BLUE	FOREST GREEN	LIGHT GREY	DARK GREY	BROWN
FRONT PART # (NOT LATCH)	12728	13816	13936	14195	13724	15765	10521
PANEL PART #	12614	12613	13938	14794	13598	16643	

CUSTOM COLORS (CONTACT AREA MANAGER FOR MINIMUM ORDER QTY)

	RED	YELLOW	ORANGE	LIGHT GREY	STAR BLUE	EMERALD	SKY BLUE	WILLOW GREEN
FRONT PART # (NOT LATCH)	19375	16546	14129	13724		16510		
PANEL PART #	19266	16542	14702	13598	16391	16506	12612	12611

Visa / Mastercard / American Express / Discover  
 \$25.00 Minimum Order — Prices and quantities subject to change / all prices are FOB FACTORY — Priced in U.S. Dollars  
 20% minimum restocking charge applies on returns

## TUFWAY® MAJOR ASSEMBLY

ITEM #	PART#	QTY PER UNIT	DESCRIPTION	PRICE EACH
1	15852	1	BASE- TUFWAY/MX2 RECYCLED PLST	
1A	19014	1	BASE- TUFWAY ROTOMOLDED	
1B	40014	1	BASE- GB DIRT BUSTER	
2	16050	2	CORNER MOLDING II- BLACK PUNCH	
3	SEE CHART	1	FRONT ASSY, TUFWAY (NO LATCH)	
4	SEE CHART	3	PANEL, TUFWAY	
	15567	1	HDWE- TUFWAY	
5	17082	1	HOOD- PAPERGUARD II GREY	
	16928	1	KIT- PAPERGRD 2 ROLL PUSH CAP	
	16845	1	KIT- PAPERGRD 2 ROLL POP RIVET	
	19116	1	KIT- PAPERGRD 3 ROLL PUSH CAP	
	19114	1	KIT- PAPERGRD 3 ROLL POP RVT	
	19408	1	KIT- PAPERGRD 4 ROLL VERTICAL	
6	16045	1	ROOF- TUFWAY DOME	
7	10570	1	SEAT, TOILET BLACK (INCLUDES HARDWARE) AVAILABLE 10 PER CASE	
	19196	1	KIT- T/SEAT 2-1/2 BOLT/NUT SET	
8	10553	1	TANK- TUFWAY DGRY	
9	14119	1	URINAL - STANDOVER DGRY (USE WITH VENT PIPE 14133)	
10	14133	1	VENT PIPE-4 X 62-1/2 GREY	
	11946	1	VENT PIPE-4 X 68 GREY (W/O HOLE & NO URINAL RQRD)	
11	13173	1	BOLT - 5/16 X 3IN HWHD (WITH 4X4 BASES)	
12	14767	1	LATCH- RESTROOM PLASTIC	
13*	18191	1	NUT- 5/16 SERRATED FLANGE	
14*	10047	56	PUSH CAP- 3/16 ID	
15*	15337	12	RIVET- .195in PLASTIC EXPANDNG	
16*	10629	32	RIVET- SOLID SHORT (FLAT)	
17*	18721	12	RIVET- SOLID SHORT FLAT W/WSHR (16029 & 18845)	
18*	10801	6	RIVET- SOLID LONG (DOME)	
19*	18722	6	RIVET- SOLID LONG DOME W/WSHR (10801 & 18845)	
20*	10122	4	SCREW- #10 X 3/4 PHPN TAP PLTD	
21*	13860	29	SCREW- #14 X 1-1/2 W/WSH GOLD	
22	16844	1	SPINDLE- PAPERGRD 2 ROLL METAL	
	12642	1	SPINDLE- PAPERGRD 2 ROLL WOOD	
	18529	1	SPINDLE- PAPERGRD 3 ROLL METAL	
	18696	1	SPINDLE- PAPERGRD 3 ROLL WOOD	
*	10068	18	WASHER- RUBBER 3/32 THK	
	14311	6	SCREEN- 3 X 13 PLST VENT (OLDER PANELS)	
	14112	6	SCREEN- 3.8 X 15.25 PLST VENT	
	10900	1	INSTRUCTIONS- TUFWAY (NOT SHOWN)	

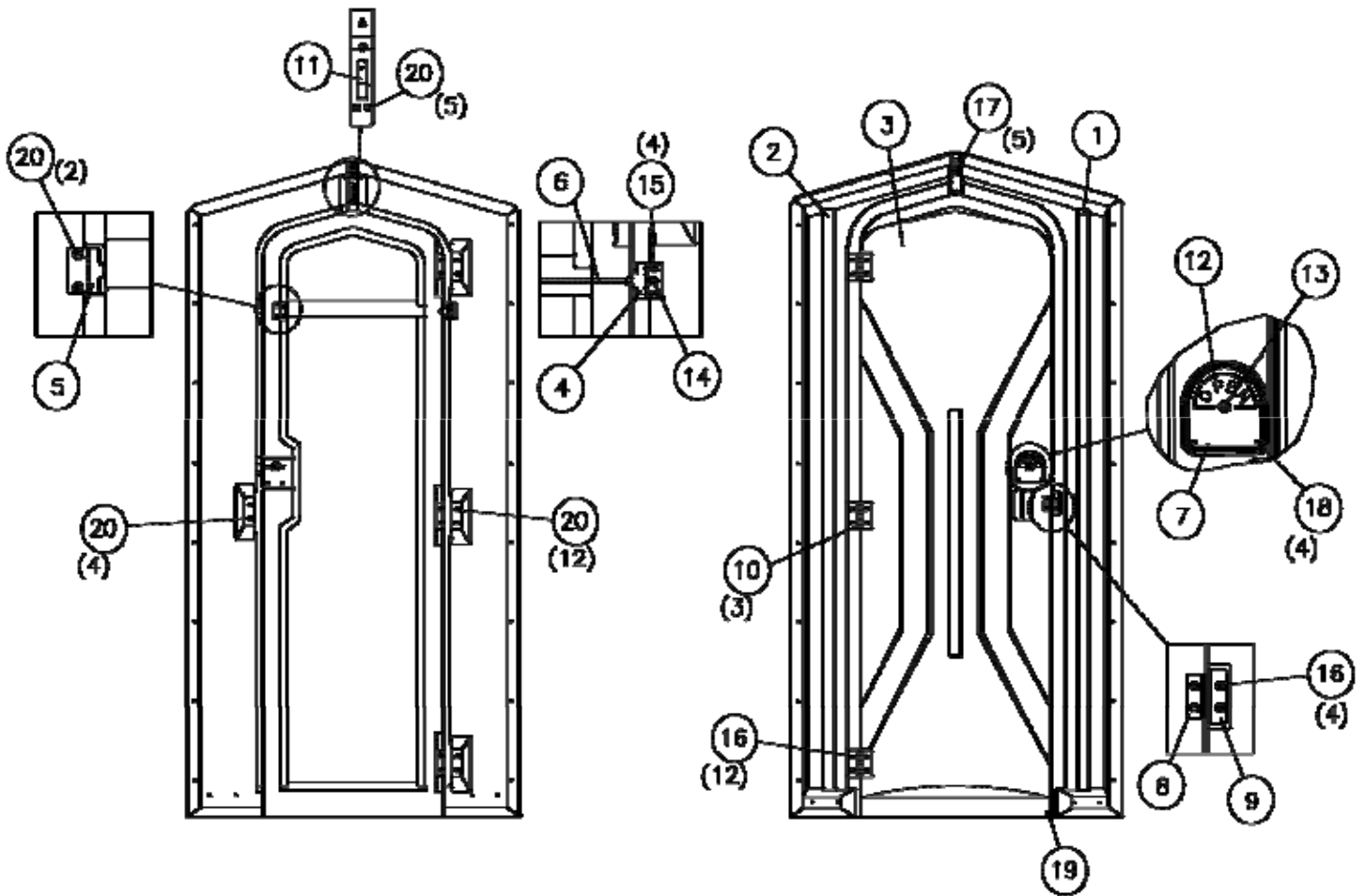
\* ONLY SOLD IN MULTIPLES OF 100

Consult Your Area Manager at:

Tel: 1-800-883-1123 (US &amp; Canada) Fax: 1-800-328-3334 (US &amp; Canada)

Web Site: www.satelliteindustries.com

### TUFWAY® FRONT ASSEMBLY

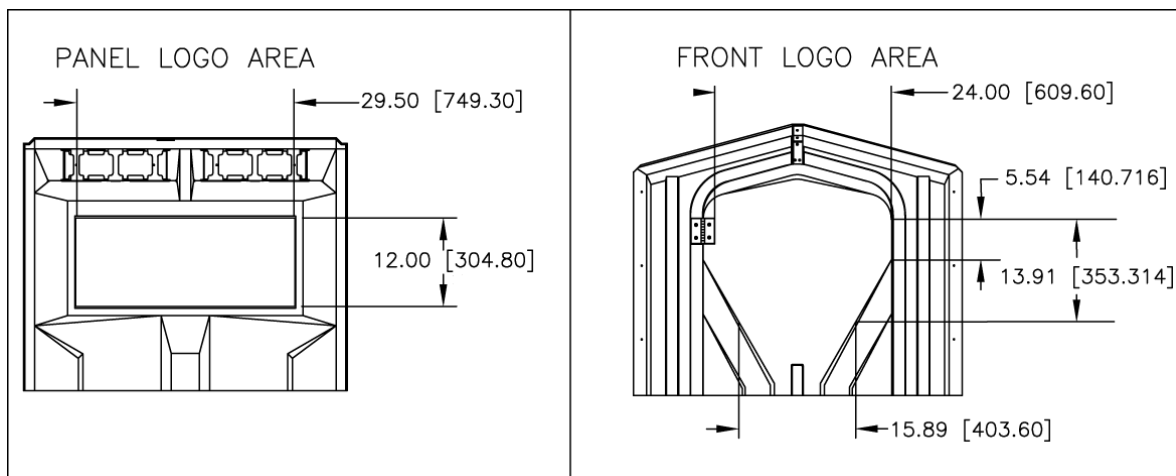


## TUFWAY® FRONT ASSEMBLY

REV M ITEM #	PART#	QTY PER UNIT	DESCRIPTION	PRICE EACH
1		1	FACING, TUFWAY HASP	NOT SALEABLE
2		1	FACING, TUFWAY HINGE	NOT SALEABLE
3		1	DOOR, TUFWAY	NOT SALEABLE
	SEE CHART	1	FRONT ASSY, TUFWAY (NO LATCH)	
4	10889	1	BRACKET- CABLE ANCHOR TUFWAY	
5	10511	1	BRACKET- SPRING ANCHOR TUFWAY	
6	10888	1	CLOSURE ASSY- TUFWAY DOOR	
	11954	1	KIT- TUFWAY SPRING CLOSURE RPL	
7	13415	1	COVER- INDICATOR BLACK	
8	13197	1	HASP-3/16 RIVET HOLE DOOR (REPLACES 10810)	
9	13199	1	HASP-3/16 RIVET HOLE FACING (LONG)	
10	13266	3	HINGE- DOOR STNLS ROUND CORNER	
11	10891	1	HOOK, FLAT COAT STNLS (METAL)	
12	15630	1	INDICATOR- UNIVERSAL	
13*	10161	1	PLUG- 1/2 INDICATOR BLACK PLST	
14	14803	1	PLUG- 3/8 HOLE	
15*	12393	4	RIVET- #64 AAP POP	
16*	11270	16	RIVET- #68 STNLS	
17*	10812	5	RIVET- #612 ALUM	
18*	10804	4	SCREW- #8 X 3/4 PHPN TAP	
19*	12007	1	SCREW- #10 X 1-1/4 PN PH TAP	
20*	11315	21	WASHER- 3/16 RIVET STNLS	
	14198	1	KIT- LATCH & INDICATOR ( TUFWAY, MAXIUM 2000 & IBERTY)	
	15391	1	KIT- PLASTIC DOOR LATCH ( TUFWAY, MAXIUM 2000 & IBERTY)	
	13726	1	KIT- UNIVERSAL INDICATOR ( TUFWAY, MAXIUM 2000 & IBERTY)	
	17372	1	KIT- TUFWAY HANDLE SCREW/NUT	

\* ONLY SOLD IN MULTIPLES OF 100

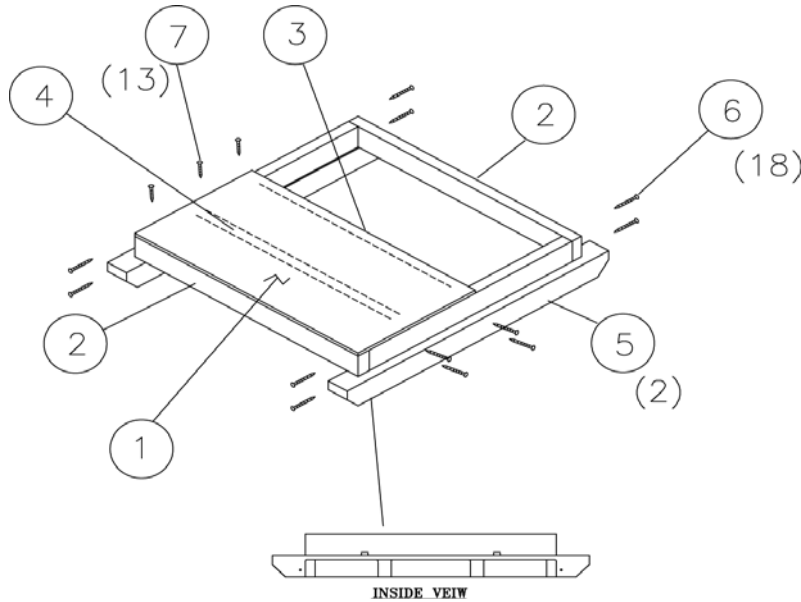
## TUFWAY® LOGO AREAS



Tel: 1-800-883-1123 (US &amp; Canada) Fax: 1-800-328-3334 (US &amp; Canada)

Web Site: [www.satelliteindustries.com](http://www.satelliteindustries.com)

**TUFWAY® 4 X 4 RECYCLED BASE**  
**2008 - PRESENT**



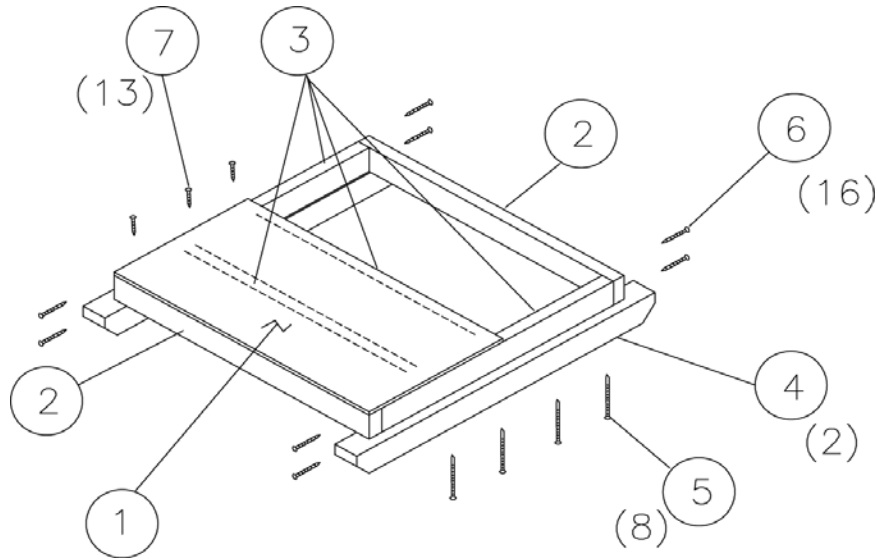
**USED FROM 2008 TO PRESENT**

REV W ITEM #	PART#	QTY PER UNIT	DESCRIPTION	PRICE EACH
	<b>15852</b>	<b>1</b>	<b>4 X 4 RECYCLED PLASTIC BASE</b>	
1	15938	1	FLOOR- 21in X 41in COEX GREY	
2	16498	2	LUMBER- 1.5X3.5X41 REC PLST	
3	20456	1	LUMBER- 1.5X3.5X38.5 REC PLST	
4	20457	1	LUMBER- 1X3X38.5 REC PLST	
5	19262	2	RUNNER- 1.25X3.5X48 COMBO REC	
6*	16408	18	SCREW- #9 X 3 DECKING	
7*	16407	13	SCREW- #10 X 2 DECKING	

\* ONLY SOLD IN MULTIPLES OF 100

REV C ITEM #	PART#	QTY PER UNIT	DESCRIPTION	PRICE EACH
	16877	1	KIT- WEAR PLATE BLOW MOLD BASE	
2*	14427	16	RIVET- #66 LSH W/LOCK MANDREL	
3	16841	4	WEAR PLATE- BLOW MOLDED BASE	
	16876	1	INSTRUCTIONS- BM BASE WEAR PLT	

**TUFWAY® 4 X 4 RECYCLED BASE**  
**1997 – 2008**



**USED FROM 1997 TO 2008**

REV V ITEM #	PART#	QTY PER UNIT	DESCRIPTION	PRICE EACH
1	15938	1	FLOOR- 21in X 41in COEX GREY	
2	16498	2	LUMBER- 1.5X3.5X41 REC PLST	
3	16497	4	LUMBER- 2 X 4 X 38 RECYC PLST	
4	16435	2	RUNNER- 4X4X48 RECYCLED PLSTC	
5	16409	8	SCREW- 3/8 X 5 HEX LAG W/WSH	
6*	16408	16	SCREW- #9 X 3 DECKING	
7	16407	13	SCREW- #10 X 2 DECKING	

\* ONLY SOLD IN MULTIPLES OF 100

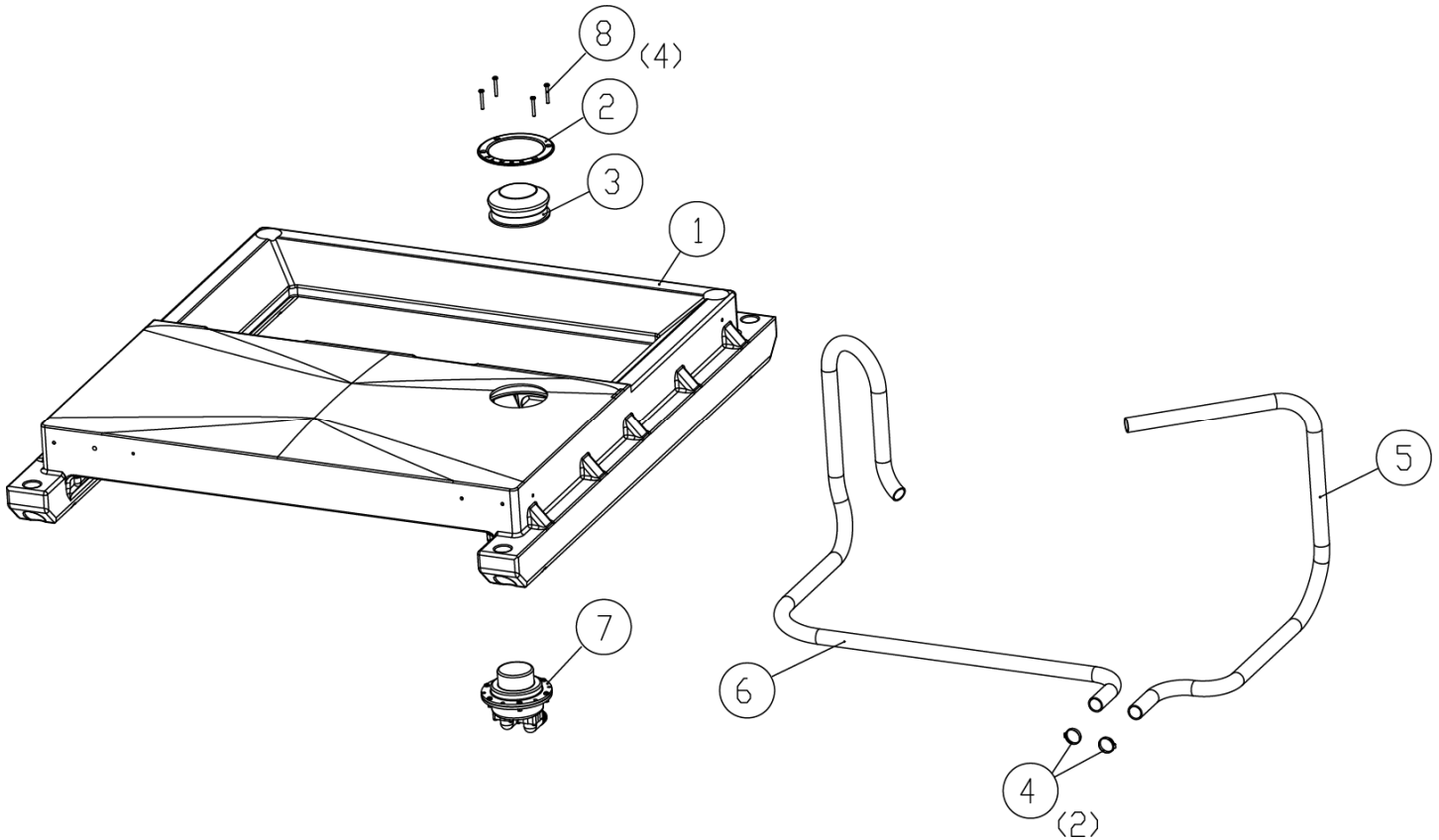
Consult Your Area Manager at:

Tel: 1-800-883-1123 (US & Canada) Fax: 1-800-328-3334 (US & Canada)

Web Site: [www.satelliteindustries.com](http://www.satelliteindustries.com)

## TUFWAY RECIRCULATING FOOT FLUSH

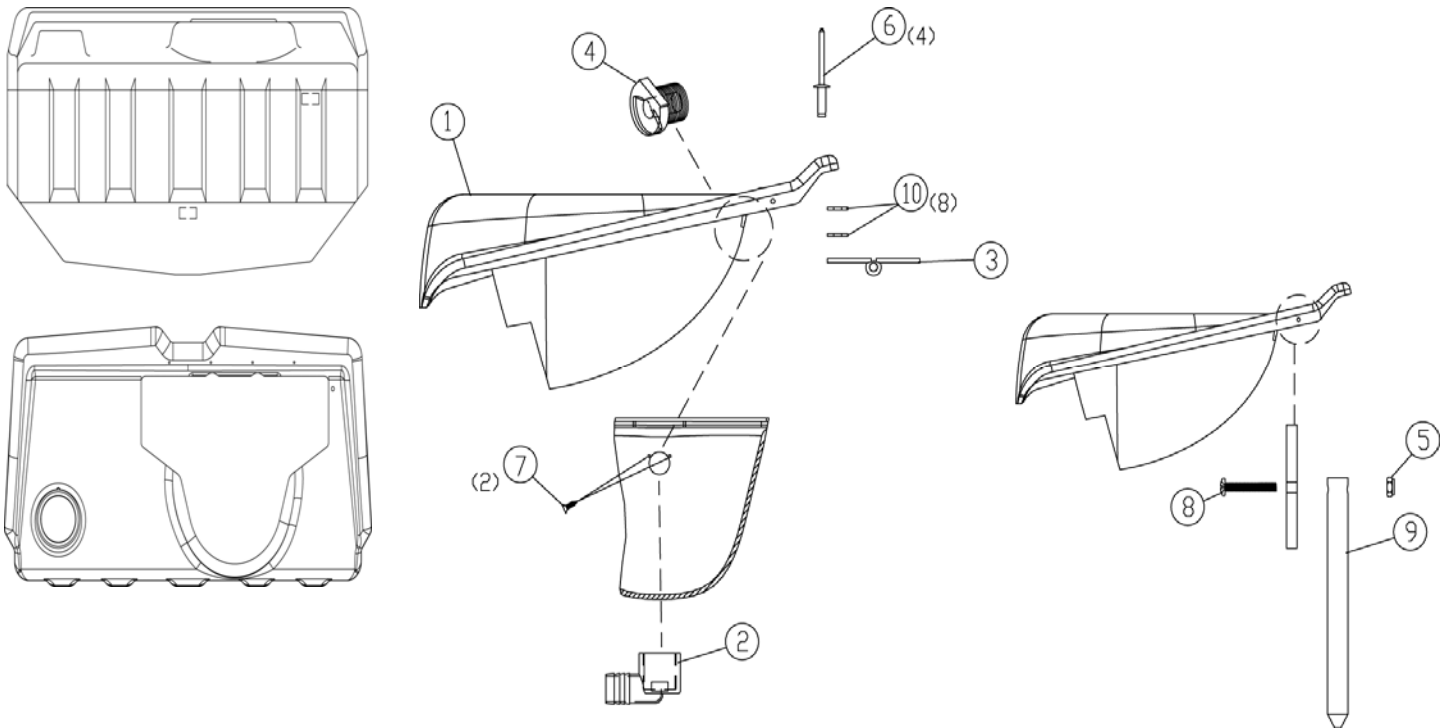
### BASE ASSEMBLY



REV A ITEM #	PART#	QTY	DESCRIPTION	PRICE EACH
	21100	1	BASE ASSY, TFW ROTO FOOT FLUSH	
1	21058	1	BASE- TUFWAY ROTO PUMP INSERT	
2	16969	1	BEZEL- FOOT PUMP	
3	15801	1	BOOT- BUTTON PUMP	
4	12588	2	CLAMP- WORMDRIVE #12	
5	17097	1	HOSE- 3/4 X 72 GREEN	
6	20785	1	HOSE- 3/4 X 85 GREEN W/CUFFS	
7	21013	1	PUMP- ELBOW GUZZLER FOOT	
8	17505	4	SCREW- #10-24 X 1-1/2 STNLS PH	

## TUFWAY® RECIRCULATING FOOT FLUSH

## TANK &amp; DECK ASSEMBLY



REV A ITEM #	PART#	QTY	DESCRIPTION	PRICE EACH
	20935	1	TANK- TUFWAY FLUSH FLIPTOP	
	21043		DECK ASSY, TUFWAY FLIPTOP (CONTAINS)	
1	20936	1	DECK- TUFWAY FLUSH FLIPTOP	
2	18145	1	ELBOW- 90 3/4 FPT X3/4 INS BLK	
3	20937	1	HINGE- TUFWAY FLUSH FLIPTOP	
4	14403	1	NOZZLE- SINGLE SLOT FLUSH	
5	20903	1	NUT- #10-24 NYLOC STNLS	
6	11027	8	RIVET- #66 ALUM	
7	15537	2	SCREW- #4 X 3/8 FH STNLS	
8	20842	1	SCREW- #10-24 X 1-1/4 PH STNLS	
9	20938	1	STRUT- TUFWAY FLUSH FLIPTOP	
10	11315	12	WASHER- 3/16 RIVET STNLS	

Consult Your Area Manager at:

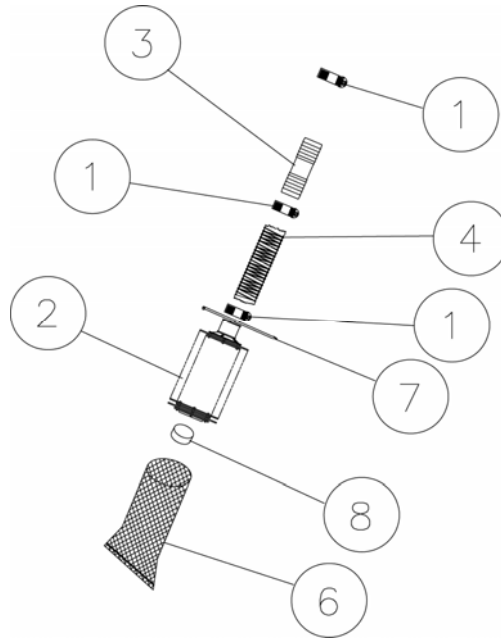
Tel: 1-800-883-1123 (US & Canada) Fax: 1-800-328-3334 (US & Canada)

Web Site: [www.satelliteindustries.com](http://www.satelliteindustries.com)



## TUFWAY RECIRCULATING FOOT FLUSH

### FILTER ASSEMBLY



REV C ITEM #	PART#	QTY	DESCRIPTION	PRICE EACH
	21048	1	FILTER ASSY- TFW FOOT FLSH	
1	12588	4	CLAMP- WORMDRIVE #12	
2	15143	1	FILTER- RECIRCULATING FLUSH	
3	21042	1	FITTING- 1in INS X 1in INS PVC	
4	14384	10"	HOSE- #44 FLEX	
6	16949	1	SCREEN- TURBO RECIRC FILTER	
7	11261	1	TIE- WIRE 6in	
8	17331	1	WEIGHT- TURBO RECIRC FILTER	
	20939	1	INSTRUCTION- TFW F/FLSH RT/BS	